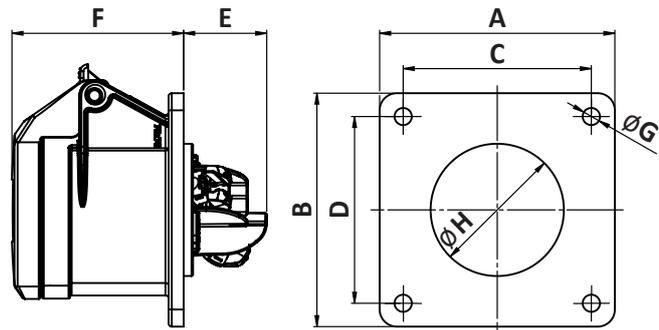


POWtec CEE Panel Mounted Socket Outlets IP54



- Splash-proof, IP54
- Screwless connection technology
- Nickel-plated contacts



Maximum Conductor Cross-section		
Current Rating	Flexible	Solid
16A	4mm ²	6mm ²
32A	6mm ²	10mm ²

Dimensions (mm)						
Poles	3	4	5	3	4	5
Current	16A			32A		
A and B	75	75	75	75	75	75
C and D	60	60	60	60	60	60
E	27	27	27	27	27	27
F	55	55	55	67	67	67
G	5.5	5.5	5.5	5.5	5.5	5.5
H	43	45	55	55	55	58
Weight (g)	123	132	155	167	182	211

Voltage		110 V~	230 V~	400 V~
Frequency		50/60 Hz	50/60 Hz	50/60 Hz
Designation		4h	3p = 6h 4p/5p = 9h	3p = 9h 4p/5p = 6h
Current	Poles	Part No.	Part No.	Part No.
16A	3	POWtecS-316Y-P154-SL	POWtecS-316B-P154-SL	-
16A*	4	POWtecS-416Y-P144-SL	POWtecS-416B-P144-SL	POWtecS-416R-P144-SL
16A	5	-	POWtecS-516B-P154-SL	POWtecS-516R-P154-SL
32A*	3	POWtecS-332Y-P144-SL	POWtecS-332B-P144-SL	-
32A*	4	POWtecS-432Y-P144-SL	POWtecS-432B-P144-SL	POWtecS-432R-P144-SL
32A	5	-	POWtecS-532B-P154-SL	POWtecS-532R-P154-SL

* Splash-proof, IP44